

**Soft Served
K-Soft Soft Ice Cream Dispenser,
85cones/h (70gr) or 5kg, gravity (UK)**

ITEM # _____

MODEL # _____

NAME # _____

SIS # _____

AIA # _____



560053 (KSFTGUK)

Soft ice cream dispenser with 2,5 l tank capacity and 1 l cylinder volume, hourly production: up to 65 cones (75 gr) or 5 kg, gravity version, R452A - UK plug

Short Form Specification

Item No. _____

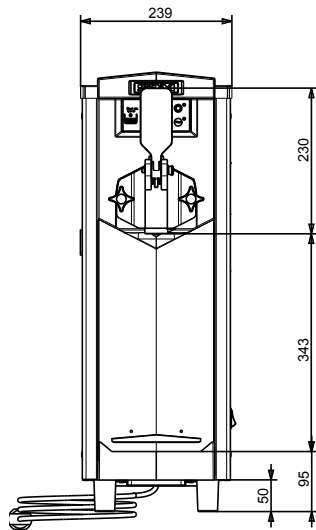
Compact counter top unit for production of soft ice cream and frozen yogurt, ideal for small spaces. Hourly capacity: up to 65 cones (5 kg/h); 2,5lt capacity+1lt inside the freezing cylinder. Gravity feeding system. Delivered with UK plug.

Main Features

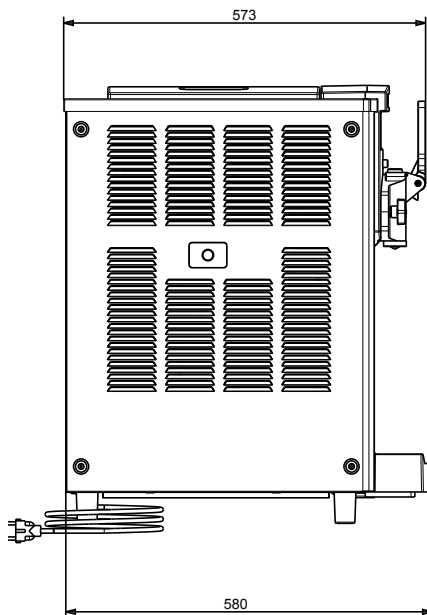
- Very quiet operation.
- Gravity feeding system.
- Compact counter top unit for production of soft ice cream and frozen yogurt, ideal for small spaces.
- Hourly capacity (up to): 65 cones (5 kg/h).

APPROVAL: _____

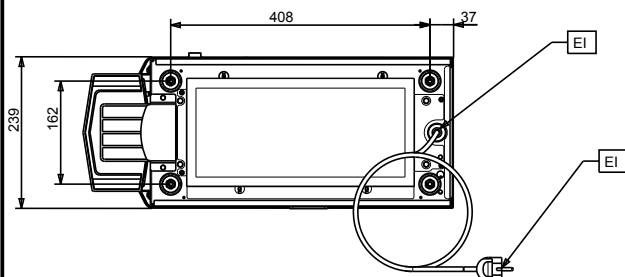
Front



Side



Top



Electric

Supply voltage:

560053 (KSOFTGUK) 220-240 V/1 ph/50 Hz

Electrical power max.:

1.05 kW

Key Information:

External dimensions, Width: 240 mm

External dimensions, Depth: 570 mm

External dimensions, Height: 700 mm

Net weight: 55 kg

Freezing cylinder capacity: 1 l

Preparation system: gravity

Plug type: UK-13A

Sustainability

Refrigerant type: R452A